



## Power Type

## NV Series

### Features

- 3.0V operating voltage
- High Capacitance and Low ESR
- Quick charge & discharge
- Environmentally friendly products
- Extended temperature to 85°C
- Humidity resistance @ RH90%

### Certification

- RoHS & REACH compliant
- UL recognized (File No. MH10260)

### Recommended Applications

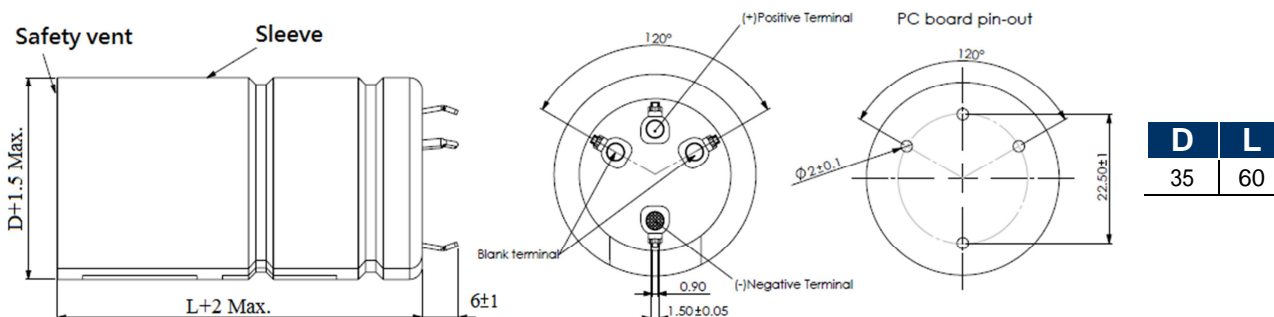
- Pulse power demand
- Hybrid battery packs
- Power tools



### Specification

Items	Characteristics	
Rated Voltage	2.7 V	3.0 V
Operating Temp. (Charge)	-40°C ~ 85°C	-40°C ~ 65°C
Surge Voltage	3.15 V	
Capacitance Tolerance	-20% ~ +20% of Rated Capacitance	
Storage Temp.	-40 °C to 85 °C	-40 °C to 70 °C
Test	Endurance	Standards
High Temp. Life	1000hrs @ Rated Voltage & Max. Operating Temp.	Must to meet standards as below after test: CAP decline < 30% of Initial measurement. ESR < 2 times specification value.
Shelf Life (Non-Charge)	1000hrs @ Max. Operating Temp.	
Life time	10 Years @ Rated Voltage & 25°C	
Cycle Life	500,000 Cycles @ 25°C (Operating Between 50%~100% Of Rated Voltage)	

### Dimensions



### Standard Ratings

Rated Cap (F)	Size (mm)	Max. Internal Resistance (mΩ)		Max. LC (mA)	Stored Energy (Wh)	Specific Energy		Specific Power		Max. Peak Current (A)	Max. continuous current (A)	Isc (A)	Max. Weight (g)	Part Number
		AC (1kHz, 1V)	DC			72hrs, 25°C	(Wh/kg)	(Wh/l)	Pd (W/kg)					
measure at 25°C	$\Phi$ DXL									1s to 1/2V (A)				
400	35X60	5	7	1.2	0.5000	6.7568	8.6615	2085	4344	157.90	40	428.57	74	NV3R0407M3560

※DC IR is calculated by voltage drop( $\Delta V$ ) which is measured by the period of time from discharge start to 10 milliseconds later.

