

SPECIFICATIONS

Customer	
Product Name	Multi-layer Chip Power Inductor
Sunlord Part Number	MPH201610S Series
Customer Part Number	

New Released, Revised]

SPEC No.: MPH0308200000

Rev.	Effective Date	Changed Contents	Change Reasons	Approved By
01	/	New release	/	Hai Guo

【This SPEC is total 8 pages including specifications and appendix.】

【ROHS, Halogen-Free and SVHC Compliant Parts】

Approved By	Checked By	Issued By

Shenzhen Sunlord Electronics Co., Ltd.

Address: Sunlord Industrial Park, Dafu Industrial Zone, Baoan, Shenzhen, China 518110

Tel: 0086-755-29832333

Fax: 0086-755-82269029

E-Mail: sunlord@sunlordinc.com

【For Customer approval Only】

Date: _____

Qualification Status: Full Restricted Rejected

Approved By	Verified By	Re-checked By	Checked By

Comments:

Caution

All products listed in this specification are developed, designed and intended for use in general electronics equipment. The products are not designed or warranted to meet the requirements of the applications listed below, whose performance and/or quality require especially high reliability, or whose failure, malfunction or trouble might directly cause damage to society, person, or property. Please understand that we are not responsible for any damage or liability caused by use of the products in any of the applications below. Please contact us for more details if you intend to use our products in the following applications.

1. Aircraft equipment
2. Aerospace equipment
3. Undersea equipment
4. nuclear control equipment
5. military equipment
6. Power plant equipment
7. Medical equipment
8. Transportation equipment (automobiles, trains, ships, etc.)
9. Traffic signal equipment
10. Disaster prevention / crime prevention equipment
11. Data-processing equipment
12. Applications of similar complexity or with reliability requirements comparable to the applications listed in the above

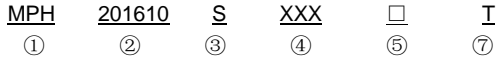
1. Scope

This specification applies to MPH201610S Series of multi-layer chip power inductors

2. Product Description and Identification (Part Number)

- 1) Description
MPH201610 Series of multi-layer chip power inductors.

- 2) Product Identification (Part Number)



①Type	
MPH	Monolithic Type Power Inductor

②External Dimensions (L x W xH) (mm)	
201610	2.0×1.6×1.0

③Feature Type	
S	Standard

④Nominal Inductance	
Example	Nominal Value
R47	0.47μH
4R7	4.7μH

⑤Inductance Tolerance	
M	±20%
N	±30%

⑦Packing	
T	Tape Carrier Package

3. Electrical Characteristics

Please refer to **Appendix A** (Page 8).

- 1) Operating and storage temperature range (individual chip without packing): -55°C ~ +125°C (Including Self-heating)
- 2) Storage temperature range (packaging conditions): -10°C~+40°C and RH 70% (Max.)

4. Shape and Dimensions

- 1) Dimensions and recommended PCB pattern for reflow soldering: See **Fig.4-1**, **Fig.4-2** and **Table 4-1**.
- 2) Structure: See **Fig. 4-3** and **Fig. 4-4**.

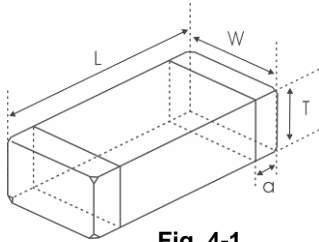


Fig. 4-1

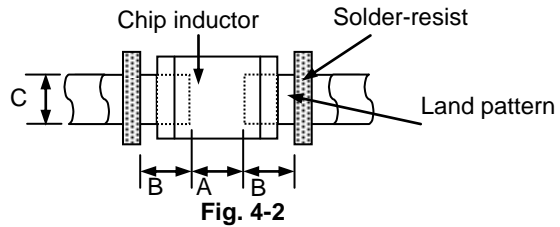


Fig. 4-2

[Table 4-1]

Unit: mm [inch]

Type	L	W	T	a	A	B	C
201610	2.0 (+0.3, -0.1) [.079 (+.012, -.004)]	1.6±0.2 [.063±.008]	0.9±0.1 [.035±.004]	0.5±0.3 [.020±.012]	0.8~1.2	0.8~1.2	1.2~2.0

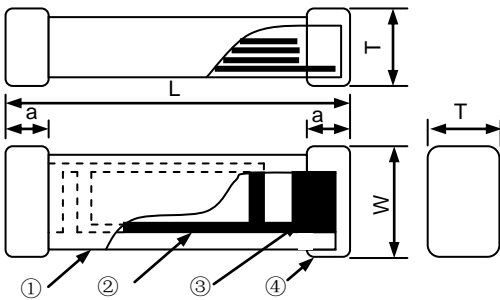


Fig. 4-3

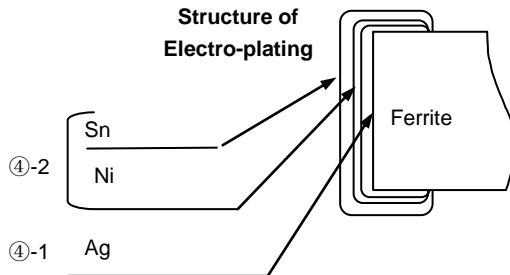


Fig. 4-4

- ① Ferrite for MPH Series
- ② Internal electrode (Ag)
- ③ Pull out electrode (Ag)
- ④-1 Terminal electrode: Inside (Ag)
- ④-2 Outside (Electro-plating Ni-Sn)

3) Material Information: See Table 4-2.

[Table 4-2]

Code	Part Name	Material Name
①	Ferrite Body	Ferrite Powder
②	Inner Coils	Silver Paste
③	Pull-out Electrode (Ag)	Silver Paste
④-1	Terminal Electrode: Inside Ag	Termination Silver Composition
④-2	Electro-Plating: Ni/Sn plating	Plating Chemicals

5. Test and Measurement Procedures

5.1 Test Conditions

Unless otherwise specified, the standard atmospheric conditions for measurement/test as:

- a. Ambient Temperature: 20±15℃
- b. Relative Humidity: 65±20%
- c. Air Pressure: 86kPa to 106kPa

If any doubt on the results, measurements/tests should be made within the following limits:

- a. Ambient Temperature: 20±2℃
- b. Relative Humidity: 65±5%
- c. Air Pressure: 86kPa to 106kPa

5.2 Visual Examination

- a. Inspection Equipment: 20x magnifier

5.3 Electrical Test

5.3.1 DC Resistance (DCR)

- a. Refer to Item3.
- b. Test equipment (Analyzer): High Accuracy Milliohmmeter-HP4338B or equivalent.

5.3.2 Inductance (L)

- a. Refer to Item3.
- b. Test equipment: High Accuracy RF Impedance /Material Analyzer-HP4291B+HP16192A or equivalent.
- c. Test signal: -20dBm or 50mV.
- d. Test frequency refers to Item3.

5.3.3 Temperature Rise Current (I_{rms})

- a. Refer to Item3.
- b. Test equipment (see Fig. 5.3.3-1): Electric Power, Electric current meter, Thermometer.
- c. Measurement method (see Fig. 5.3.3-1):
 1. Set test current to be 0 mA.
 2. Measure initial temperature of chip surface.
 3. Gradually increase voltage and measure chip temperature for corresponding current.
 4. Definition of Temperature Rise Current (I_{rms}) : I_{DC1} is direct electric current as chip surface temperature rose just 40℃ against chip initial surface temperature (T_a) (see Fig. 5.3.3-2)

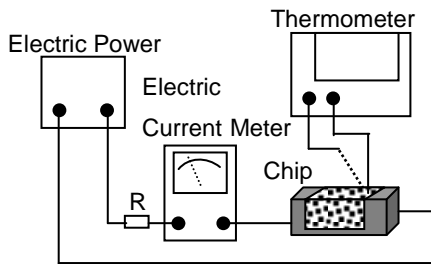


Fig. 5.3.3-1

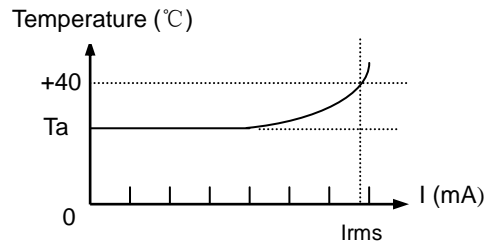


Fig. 5.3.3-2

5.3.4 Saturation Current (I_{sat})

- a. Refer to Item3.
- b. Test equipment: HP6632B system DC power supply, HP4291B+HP16192A+HP16200A or equivalent.
- c. Measurement method:
 1. Measurement conditions of initial inductance L: Measuring Frequency: 1MHz.
Test Current: 1mA.
 2. Definition of Saturation Current (I_{sat}) : I_{DC2} is the value of DC current as inductance L (μH) decreased just 30% against initial value (see Fig. 5.3.4-1).

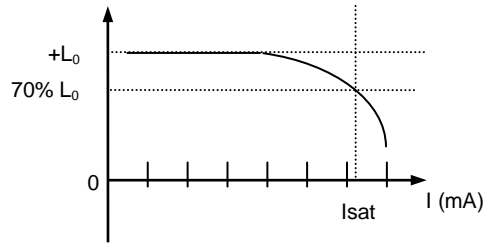
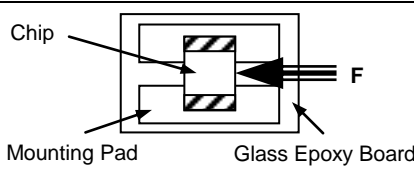
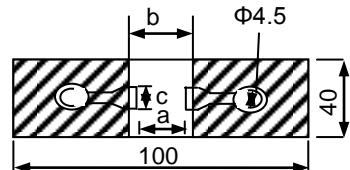
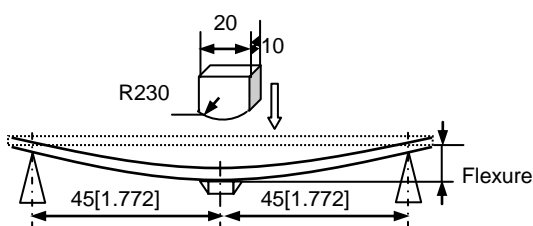


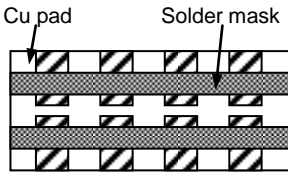
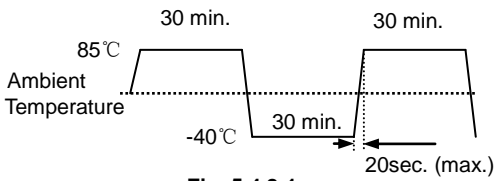
Fig. 5.3.4-1

5.3.5 Self-Resonant Frequency (SRF)

- a. Refer to **Item3**.
- b. Test equipment: High Accuracy RF Impedance /Material Analyzer-HP4291B+HP16192A or equivalent.
- c. Test signal: -20dBm or 50 mV.

5.4 Reliability Test

Items	Requirements	Test Methods and Remarks								
<p>5.4.1 Terminal Strength</p>	<p>No removal or split of the termination or other defects shall occur.</p>  <p>Chip Mounting Pad Glass Epoxy Board</p> <p>Fig.5.4.1-1</p>	<ul style="list-style-type: none"> ① Solder the inductor to the testing jig (glass epoxy board shown in Fig.5.4.1-1) using eutectic solder. Then apply a 10N force in the direction of the arrow. ② Keep time: 10±1s. ③ Speed: 1.0mm/s. 								
<p>5.4.2 Resistance to Flexure</p>	<p>No visible mechanical damage.</p> <p style="text-align: center;">Unit: mm [inch]</p> <table border="1" data-bbox="363 1097 790 1187"> <thead> <tr> <th>Type</th> <th>a</th> <th>b</th> <th>c</th> </tr> </thead> <tbody> <tr> <td>201610</td> <td>0.8</td> <td>2.4</td> <td>1.4</td> </tr> </tbody> </table>  <p>Fig.5.4.2-1</p>	Type	a	b	c	201610	0.8	2.4	1.4	<ul style="list-style-type: none"> ① Solder the inductor to the test jig (glass epoxy board shown in Fig.5.4.2-1) Using a eutectic solder. Then apply a force in the direction shown Fig. 5.4.2-2. ② Flexure: 2mm. ③ Pressurizing Speed: 0.5mm/sec. ④ Keep time: 30 sec.  <p>Fig. 5.4.2-2</p>
Type	a	b	c							
201610	0.8	2.4	1.4							

Items	Requirements	Test Methods and Remarks
5.4.3 Vibration	① No visible mechanical damage. ② Inductance change: Within $\pm 20\%$. 	① Solder the inductor to the testing jig (glass epoxy board shown in Fig.5.4.3-1) using eutectic solder. ② The inductor shall be subjected to a simple harmonic motion having total amplitude of 1.5mm, the frequency being varied uniformly between the approximate limits of 10 and 55 Hz. ③ The frequency range from 10 to 55 Hz and return to 10 Hz shall be traversed in approximately 1 minute. This motion shall be applied for a period of 2 hours in each 3 mutually perpendicular directions (total of 6 hours).
5.4.4 Dropping	① No visible mechanical damage. ② Inductance change: Within $\pm 20\%$.	Drop chip inductor 10 times on a concrete floor from a height of 100 cm.
5.4.5 Temperature	Inductance change should be within $\pm 20\%$ of initial value measuring at 20°C.	Temperature range: -40°C ~ +85°C Reference temperature: +20°C
5.4.6 Solderability	① No visible mechanical damage. ② Wetting shall exceed 95% coverage.	① Solder temperature: 240 \pm 2°C ② Duration: 3 sec. ③ Solder: Sn/3.0Ag/0.5Cu. ④ Flux: 25% Resin and 75% ethanol in weight.
5.4.7 Resistance to Soldering Heat	① No visible mechanical damage. ② Wetting shall exceed 95% coverage. ③ Inductance change: Within $\pm 20\%$.	① Solder temperature: 260 \pm 3°C. ② Duration: 5 sec. ③ Solder: Sn/3.0Ag/0.5Cu. ④ Flux: 25% Resin and 75% ethanol in weight. ⑤ The chip shall be stabilized at normal condition for 1~2 hours before measuring.
5.4.8 Thermal Shock	① No mechanical damage. ② Inductance change: Within $\pm 20\%$. 	① Temperature, Time: (See Fig.5.4.8-1) -40°C for 30 \pm 3 min → 85°C for 30 \pm 3min. ② Transforming interval: 20 sec.(max.). ③ Tested cycle: 100 cycles. ④ The chip shall be stabilized at normal condition for 1~2 hours before measuring.
5.4.9 Resistance to Low Temperature	① No mechanical damage. ② Inductance change: Within $\pm 20\%$.	① Temperature: -40 \pm 2°C ② Duration: 1000 ⁺²⁴ hours. ③ The chip shall be stabilized at normal condition for 1~2 hours before measuring.
5.4.10 Resistance to High Temperature	① No mechanical damage. ② Inductance change: Within $\pm 20\%$.	① Temperature: 85 \pm 2°C ② Duration: 1000 ⁺²⁴ hours. ③ The chip shall be stabilized at normal condition for 1~2 hours before measuring.
5.4.11 Damp Heat (Steady States)	① No visible mechanical damage. ② Inductance change: Within $\pm 20\%$.	① Temperature: 60 \pm 2°C ② Humidity: 90% to 95% RH. ③ Duration: 1000 ⁺²⁴ hours. ④ The chip shall be stabilized at normal condition for 1~2 hours before measuring.

6. Packaging and Storage

6.1 Packaging

Tape Carrier Packaging:

Packaging code: T

- a. Tape carrier packaging are specified in attached figure **Fig.6.1-1~3**
- b. Tape carrier packaging quantity please see the following table:

Type	201610
T(mm)	0.9 \pm 0.1
Tape	Embossed Tape
Quantity	3K

- c. Reel shall be packaged in vinyl bag.
- d. Maximum of 5 or 10 reels bags shall be packaged in an inner box.
- e. Maximum of 6 or 10 inner boxes shall be packaged in an outer case.

(1) Taping Drawings (Unit: mm)

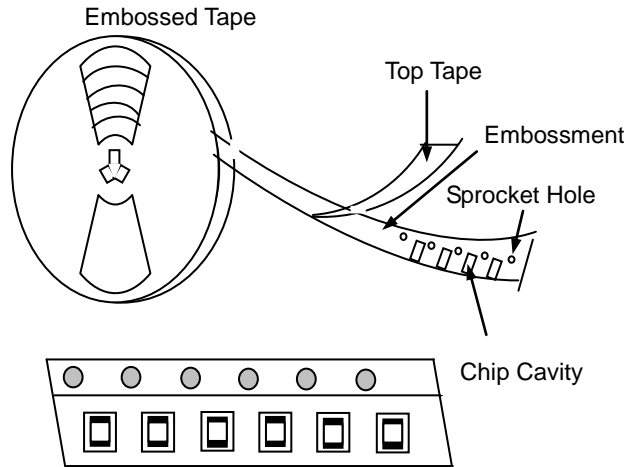


Fig. 6.1-1

Remark: The sprocket holes are to the right as the tape is pulled toward the user.

(2) Taping Dimensions (Unit: mm)

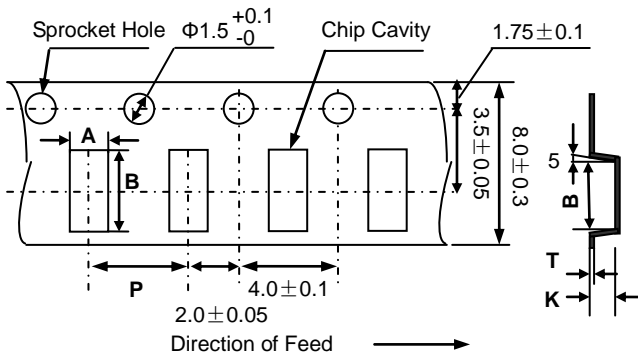


Fig. 6.1-2

Type	A	B	P	Kmax	Tmax
MPH201610	1.90 ± 0.1	2.30 ± 0.1	4.0 ± 0.1	1.45	0.3

(3) Reel Dimensions (Unit: mm)

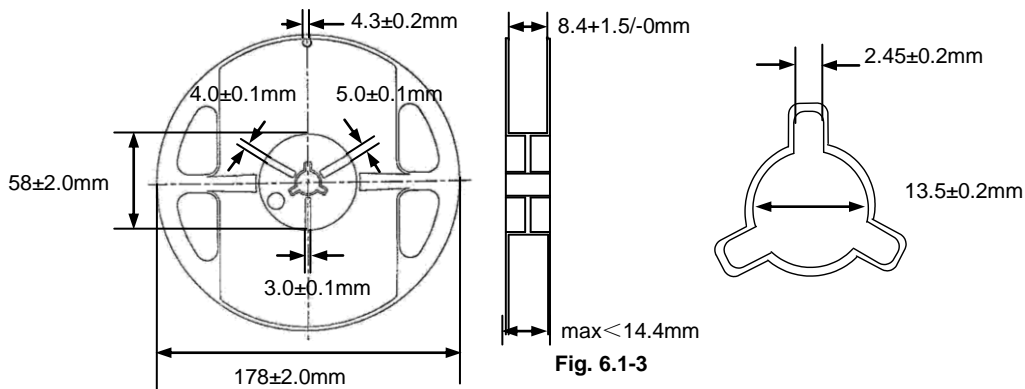


Fig. 6.1-3

6.2 Storage

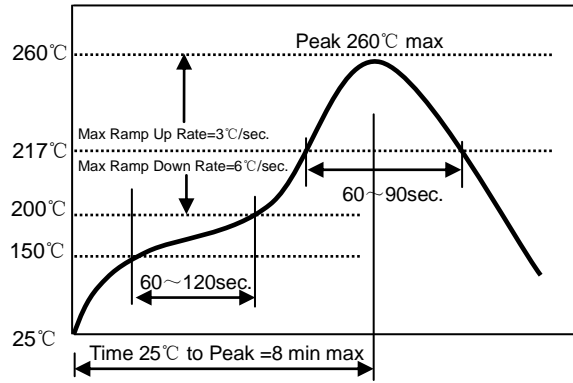
- a. The solderability of the external electrode may be deteriorated if packages are stored where they are exposed to high humidity. Package must be stored at 40°C or less and 70% RH or less.
- b. The solderability of the external electrode may be deteriorated if packages are stored where they are exposed to dust of harmful gas (e.g. HCl, sulfurous gas of H_2S).
- c. Packaging material may be deformed if package are stored where they are exposed to heat of direct sunlight.
- d. Solderability specified in **Clause 5.4.6** shall be guaranteed for 12 months from the date of delivery on condition that they are stored at the environment specified in **Clause 3**. For those parts, which passed more than 12 months shall be checked solder-ability before use.

7. Recommended Soldering Technologies

7.1 Reflowing Profile:

- △ Preheat condition: 150 ~200°C/60~120sec.
- △ Allowed time above 217°C: 60~90sec.
- △ Max temp: 260°C
- △ Max time at max temp: 10sec.
- △ Solder paste: Sn/3.0Ag/0.5Cu
- △ Allowed Reflow time: 2x max

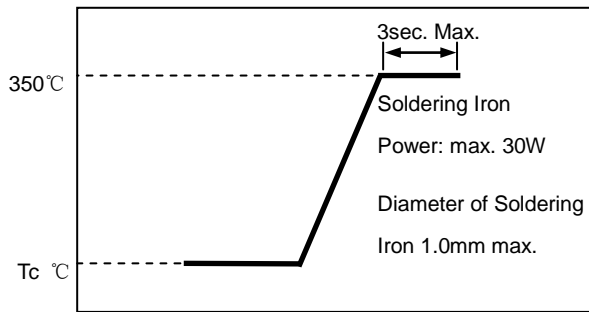
[Note: The reflow profile in the above table is only for qualification and is not meant to specify board assembly profiles. Actual board assembly profiles must be based on the customer's specific board design, solder paste and process, and should not exceed the parameters as the Reflow profile shows.]



7.2 Iron Soldering Profile.

- △ Iron soldering power: Max.30W
- △ Pre-heating: 150 °C / 60sec.
- △ Soldering Tip temperature: 350°C Max.
- △ Soldering time: 3sec Max.
- △ Solder paste: Sn/3.0Ag/0.5Cu
- △ Max.1 times for iron soldering

[Note: Take care not to apply the tip of the soldering iron to the terminal electrodes.]



Appendix A: Electrical Characteristics

Part Number	L (μH)	L Test Freq. (MHz)	S.R.F Min. (MHz)	DCR (Typ) (Ω)	DCR (Max) (Ω)	Temperature Rise Current Irms (max.) (mA)	Saturation Current Isat (Typ.) (mA)	Saturation Current Isat (Max.) (mA)	Thickness (mm) [inch]
MPH201610SR47□T	0.47	1	100	0.08	0.1	1500	1600	1350	0.9±0.1 [.035±.004]
MPH201610S1R0□T	1.0	1	70	0.09	0.1125	1400	1200	1000	
MPH201610S1R5□T	1.5	1	60	0.11	0.1375	1200	700	600	
MPH201610S2R2□T	2.2	1	50	0.11	0.1375	1200	500	420	
MPH201610S3R3□T	3.3	1	40	0.12	0.15	1200	330	270	
MPH201610S4R7□T	4.7	1	30	0.14	0.175	1100	220	180	

※□: Please specify the inductance tolerance code (M=±20%, N=±30%).