



Power Type

NL Series

Features

- Small size and low-resistance
- Quick charge & discharge
- Environmentally friendly products
- Extended temperature to 85°C
- Humidity resistance @ RH90%

Certification

- RoHS & REACH compliant
- UL recognized (File No. MH10260)

Recommended Applications

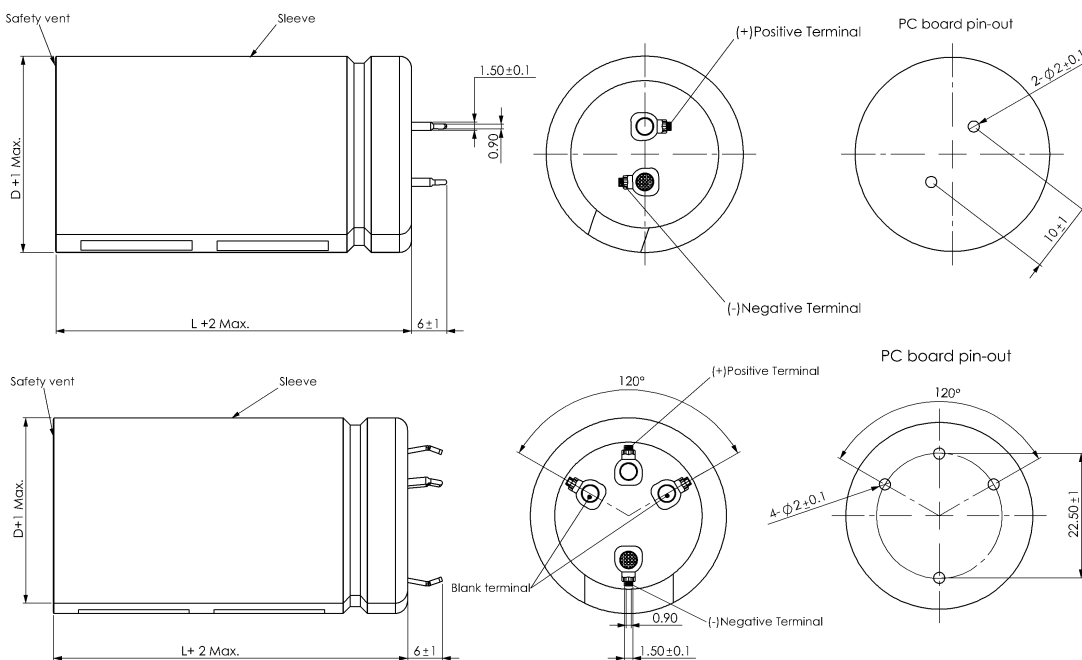
- Pulse power demand
- Hybrid battery packs
- Power tools



Specification

Items	Characteristics	
Rated Voltage	2.3 V	2.7 V
Operating Temp.	-40°C ~ 85°C	-40°C ~ 65°C
Surge Voltage	2.85 V	
Capacitance Tolerance	-20% ~ +20% of Rated Capacitance	
Storage Temp.	-40 °C to 85 °C	-40 °C to 70 °C
Test	Endurance	Standards
High Temp. Life	1000hrs @ Rated Voltage & Max Operating Temp.	Must to meet standards as below after test: CAP decline < 30% of Initial measurement. ESR < 2 times specification value.
Shelf Life	1000hrs @ Max Storage Temp. Without Load	
Life time	10 Years @ Rated Voltage & 25°C	
Cycle Life	500,000 Cycles @ 25°C (Operation Between 50% ~ 100% of Rated Voltage)	

Dimensions



Size	D	L
22x45	22	45
25x50	25	50
30x50	30	50
35x50	35	50
35x60	35	60





Standard Ratings

Rated Cap (F)	Size (mm)	Max. Internal Resistance (mΩ)		Max. LC (mA)	Stored Energy (Wh)	Specific Energy			Specific Power		Max. Peak Current (A)	Max. continuous current (A)	Isc (A)	Max. Weight (g)	Part Number
		AC (1kHz, 1V)	DC			72hrs, 25°C	(Wh/kg)	(Wh/l)	Pd (W/kg)	Pmax (W/kg)					
0 100	22X45	9	15	0.26	0.1013	4.4022	5.9220	2536	5283	54.000	10.00	180	23	NL2R7107M2245	
0 150	25X50	7	14	0.50	0.1519	4.7461	6.1911	1953	4068	65.323	12.50	193	32	NL2R7157M2550	
0 200	30X50	7	13	0.60	0.2025	4.8214	5.7325	1602	3338	75.000	16.67	208	42	NL2R7207M3050	
0 300	35X50	7	13	0.80	0.3038	5.3289	6.3174	1181	2460	82.653	20.00	208	57	NL2R7307M3550	
0 400	35X60	5	12	1.20	0.4050	5.4000	7.0194	972	2025	93.103	26.67	225	75	NL2R7407M3560	

Note. If standard product does not meet your need, please contact us to enquire for customized one.

