

☆: Recommendation products
 [AEC-Q200] : AEC-Q200 compliant. Please contact your local Chemi-Con office for more details, test data, information and also non indicated products.

Digitalization
 Super Low ESR

CONDUCTIVE POLYMER ALUMINUM SOLID CAPACITORS

RESIN-MOLDED SURFACE MOUNT TYPE

3D
 Click here!

Resin-Molded Type




PMA
 105°C 5,000H

SURFACE MOUNT TYPE

3D
 Click here!

Surface Mount Type




PXA 105°C 3,000/15,000H
 ☆ **PXF** Low ESR
PXS Long Life
 125°C High Temperature
PXH 125°C 1,000H
 [AEC-Q200] **PXD** 125°C 2,000H
 ☆ **PXN** High moisture resistance
PXE 105°C 15,000H
 ☆ **PXK** Downsizing
PXT High moisture resistance
 ☆ **PXG** 105°C 16 to 25V
PXJ Downsizing

RADIAL LEAD TYPE

3D
 Click here!

Radial Lead Type



☆ **PSF** Low ESR, Long Life
PSJ Low ESR
PSC 105°C 15,000H
PSE Long Life
 ☆ **PSG** 105°C 16 to 35V
 ☆ **PSK** Downsizing, Long Life


CONDUCTIVE POLYMER HYBRID ALUMINUM ELECTROLYTIC CAPACITORS

Digitalization
 Super Low ESR
 Automotive Application

SURFACE MOUNT TYPE

3D
 Click here!

Surface Mount Type



125°C/135°C High Temperature
HXD 105°C 5,000H
HXB 105°C 5,000H
 [AEC-Q200] **HXA** 125°C 4,000H
 [AEC-Q200] **HXC** 125°C 4,000H
 [AEC-Q200] **HXE** 135°C 2,000/4,000H
 [AEC-Q200] **HXJ** 125°C 4,000H
 [AEC-Q200] **HXD** Upgrade!
 [AEC-Q200] **HXA** Upgrade!
 [AEC-Q200] **HXC** Upgrade!
 [AEC-Q200] **HXE** Upgrade!
 [AEC-Q200] **HXJ** New!

RADIAL LEAD TYPE

3D
 Click here!

Radial Lead Type



125°C/135°C High Temperature
 [AEC-Q200] **HSE** 135°C 4,000H
 [AEC-Q200] **HSD** 105°C 5,000H
 [AEC-Q200] **HSC** 125°C 4,000H

ALUMINUM ELECTROLYTIC CAPACITORS

SURFACE MOUNT TYPE (CE32)

3D
 Click here!

105°C High Voltage
 [AEC-Q200] **MKB** 400V

Surface Mount Standard
MVA 85°C
 ☆ **MVE** 105°C

105°C Low Impedance
 [AEC-Q200] **MVY** 105°C 1,000 to 5,000H
 Low Z
 ☆ **MZA** 105°C 2,000/5,000H
 Low Z
MZJ 105°C 2,000H
 Downsizing
 ☆ **MZR** 105°C 2,000H
 High Capacitance
MZS 105°C 2,000H
 Long Life
MZK 105°C 5,000H Low Profile
 Long Life
MZL 105°C 5,000H
 [AEC-Q200] **MZL** New!
MLA 105°C 3,000H
 Long Life
MZE 105°C 7,000/8,000H
 Long Life
MZF 105°C 10,000H

Automotive Application
 125°C/150°C High Temperature
 [AEC-Q200] **MVH** 125°C
 Downsizing
 [AEC-Q200] **MHL** 125°C 2,000/4,000H
 [AEC-Q200] **MHS** 125°C 5,000H
 [AEC-Q200] **MXB** 150°C 1,000H
 ☆ **MHB** 125°C Low ESR
 Low ESR
 [AEC-Q200] **MHJ** 125°C Low ESR
 Low ESR
 [AEC-Q200] **MHK** 125°C Low ESR

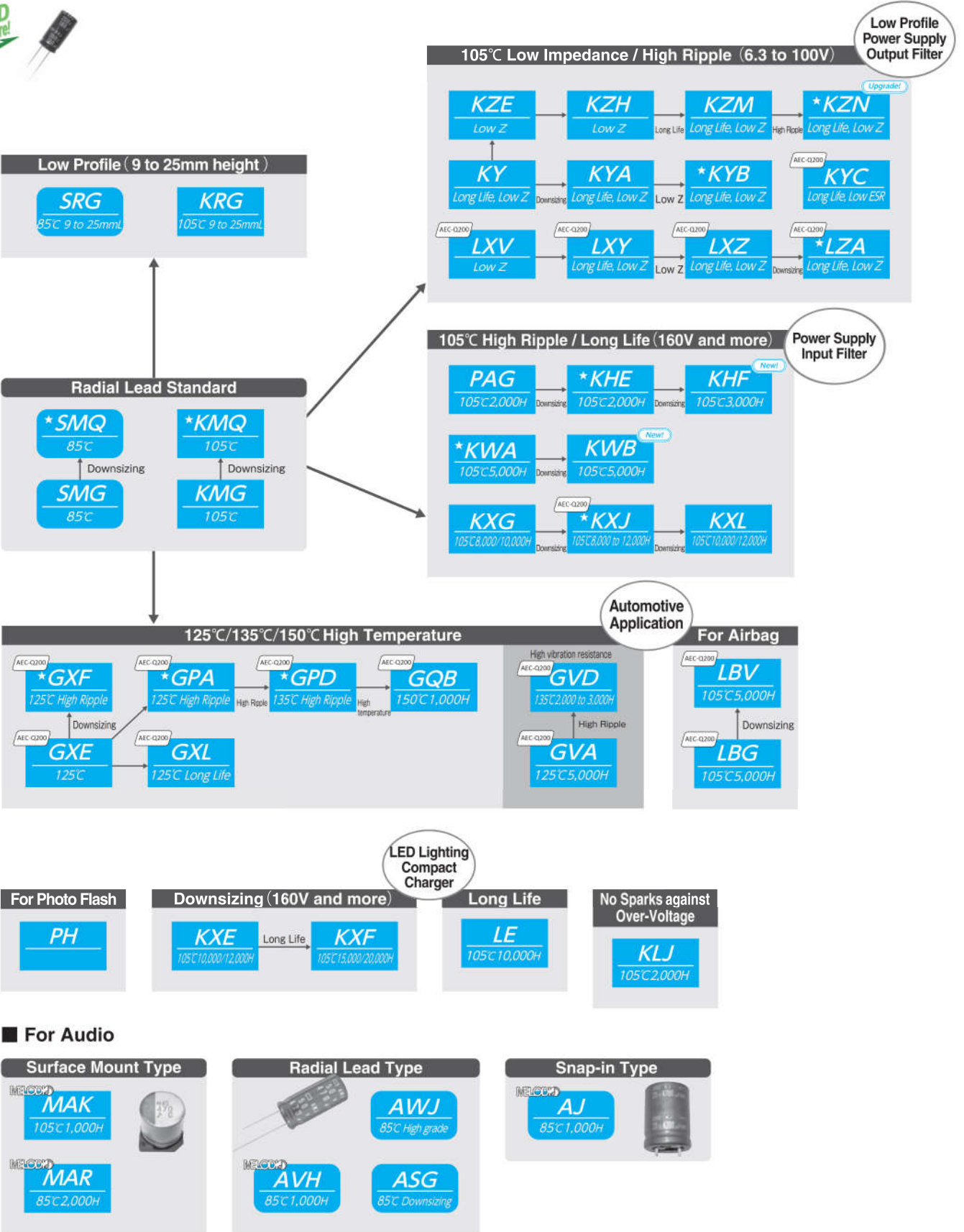
105°C Long Life
MVL 105°C 3,000/5,000H
 Long Life
MVE 105°C 7,000/8,000H
 Long Life
MLF 105°C 10,000H
MVJ 105°C 2,000H
MLK 105°C 5,000H Low Profile

Digitalization

☆: Recommendation products
 AEC-Q200 : AEC-Q200 compliant. Please contact your local Chemi-Con office for more details, test data, information and also non indicated products.

ALUMINUM ELECTROLYTIC CAPACITORS

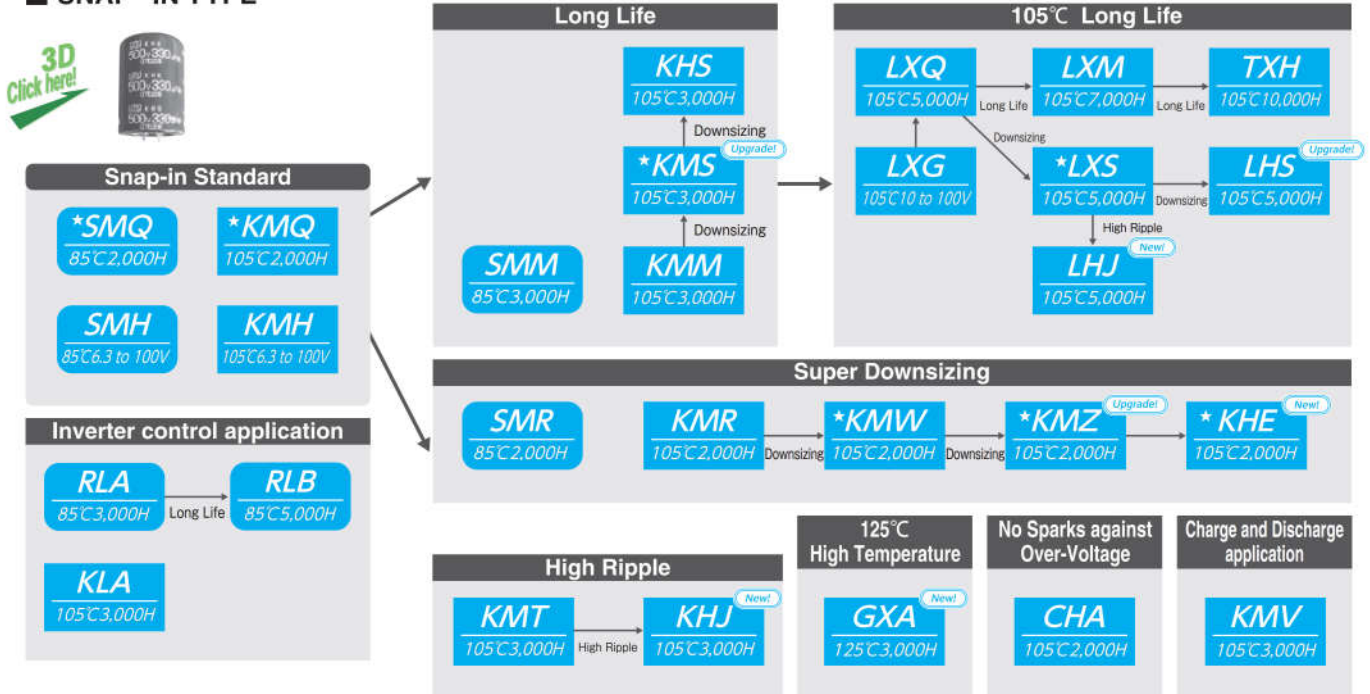
RADIAL LEAD TYPE



Product specifications in this catalog are subject to change without notice. Request our product specifications before purchase and/or use. Please use our products based on the information contained in this catalog and product specifications.

ALUMINUM ELECTROLYTIC CAPACITORS

■ SNAP-IN TYPE



Please contact us for AEC-Q200 compliant of Snap-in type.

■ SCREW-MOUNT TYPE

